

DONJOY looking forward to your visit! Your telecommunications!



东正科技有限公司
DONJOY TECHNOLOGY CO.,LTD.

地址: 温州空港新区港富路25号
总机: 0577-86990888
传真: 0577-86998000

Add: No.25 Gang fu Road, konggang
new District, Longwan Wenzhou, China
Tel: +86-577-86990888
Fax: +86-577-86998000
E-mail: donjoy@cndonjoy.com

www.cndonjoy.com

法律声明:
目录样册版权归东正所有, 如有抄袭, 必将追究其法律责任和经济赔偿。
东正已获得国家版权局书刊号。东正诸多产品技术, 都具有专利保护, 如有抄袭,
必将追究法律责任和经济赔偿。

Legal statement:
Copyright of the catalogue belongs to Donjoy. If there is plagiarism,
it will be investigated for legal responsibility and economic compensation.
Donjoy has been granted publications number by China's National Copyright.
Donjoy products and technology with patent protection,
If there is plagiarism, it will be investigated for legal responsibility
and economic compensation.

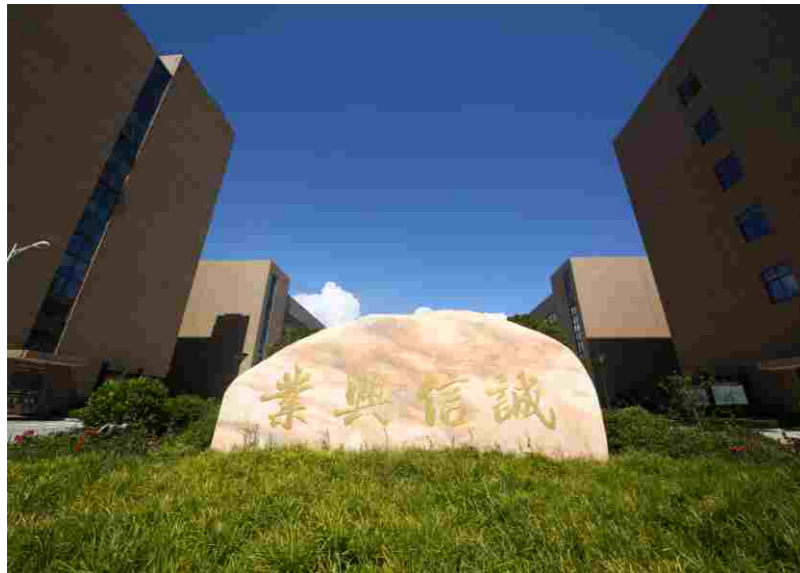
Cleaning Technology

11 / 喷射器-清洗球 智能制造



国家高新技术企业 专精特新企业

Advantages



30 YEARS

30年的阀门研发与制造
More than 30 years valve and pump R&d and Manufacturing

23 YEARS

23年的高洁净泵研发与制造
More than 23 years high purity pump R&d and Manufacturing

18 YEARS

18年的阀门控制器研发与制造
More than 18 years valve controller R&d and Manufacturing

15 YEARS

15年的清洗技术研发与制造
More than 15 years Cleaning technology R&d and Manufacturing

300

300多人的专业团队
A profession team of over 300 people

200

200多项知识产权
More than 200 intellectual property rights

30

30多项国际权威认证
More than 30 international authoritative certifications

20

20多项国家与省级荣誉
More than 20 national and provincial honors certificates

超过10年研发经验
工程师队伍
We have more than 10 years experienced engineer team in R & D.

日本Mazak
CNC复合型加工中心
CNC切削中心
CNC车床
Japan Mazak
CNC compound machining center
CNC cutting center
CNC lathe

发那科《Fanuc》
全自动机器人生产线
《Fanuc》 Automatic robot production line

高新技术企业、
省著名商标、
主任质量奖、4项发明、
200余项专利
New high-tech enterprise.
Provincial famous trademark.
Director's Quality Award.4 inventions
More than 200 patents

欧盟CE
美国3-A, FDA
中国特种制造许可证 TS
防爆认证ATEX CNEX
European Union CE certificate
USA 3-A, FDA
China Special Manufacturing License TS
ATEX CNEX

我们能为你提供
定制化技术服务和制造,
OEM ODM
We can provide
you OEM & ODM service

领先的检测手段,
30多台专业检测设备和
50多种检测方法, 确保
每个产品性能和精度
Advanced detection method.
More than 30 pcs professional testing equipment. More than 50 inspection ways, insure product performance and accuracy

30 YEARS

30年洁净领域的专注
30 years of focus in the field of cleanliness

30 YEARS

30年工程应用经验与市场考验
30 years of engineering application experience and market test

三十而立正蕴含着新的力量，
未来我们将一如既往的致力于技术革新！
We Donjoy have established for 30 years, still full of
new energy, in the future we will stick to concentrate on
technology innovation

Introduction

东正创立于1993年，占地面积29000m²，注册资本1.0558亿元，员工300余人，技术团队30余人，200余项知识产权，国际权威认证30余项，国家与省级荣誉证书20余项，且拥有国际领先的加工技术和制造设备，如Mazak CNC四轴、五轴加工中心、复合型切削中心、FANUC机器人生产线以及各种国际领先的检测设备。

东正制造的产品远销全球并获得国内外用户高度好评，我们产品和技术涵盖高洁净泵、阀门控制技术、PID自控阀门、高洁净阀门、容器管道安全控制技术、容器清洗技术、容器管道照明技术、过滤技术以及高洁净管道和配件等。广泛应用于生物制药、食品饮料、酿酒、精细化工、日化洗涤、纺织印染、电池和新能源等工业领域。

Donjoy is founded in 1993, covers an area of 29,000 square meters, registered capital of 105.58 million yuan, we have more than 300 employees, we have more than 30 persons technical team, we have more than 200 intellectual property rights, we have more than 30 authoritative international certification, we have more than 20 national and provincial certifications, and has an international leader of first processing technology and manufacturing equipment, such as Mazak CNC four axis, five axis machining center, compound cutting center, FANUC robot production line and various international collar first detection equipment, etc.

The products manufactured by Donjoy are sold all over the world and are highly praised by domestic and overseas Products and technology cover high purity pump, valve control technology, PID automatic control valve, high purity valve, container pipeline safety control technology, container cleaning technology, container pipe road lighting technology, filtration technology and high purity pipes and accessories. Widely used in the biopharmaceuticals, food and beverage, wine, fine chemicals, daily chemical washing, textile printing and dyeing, battery and new energy and other industrial fields.

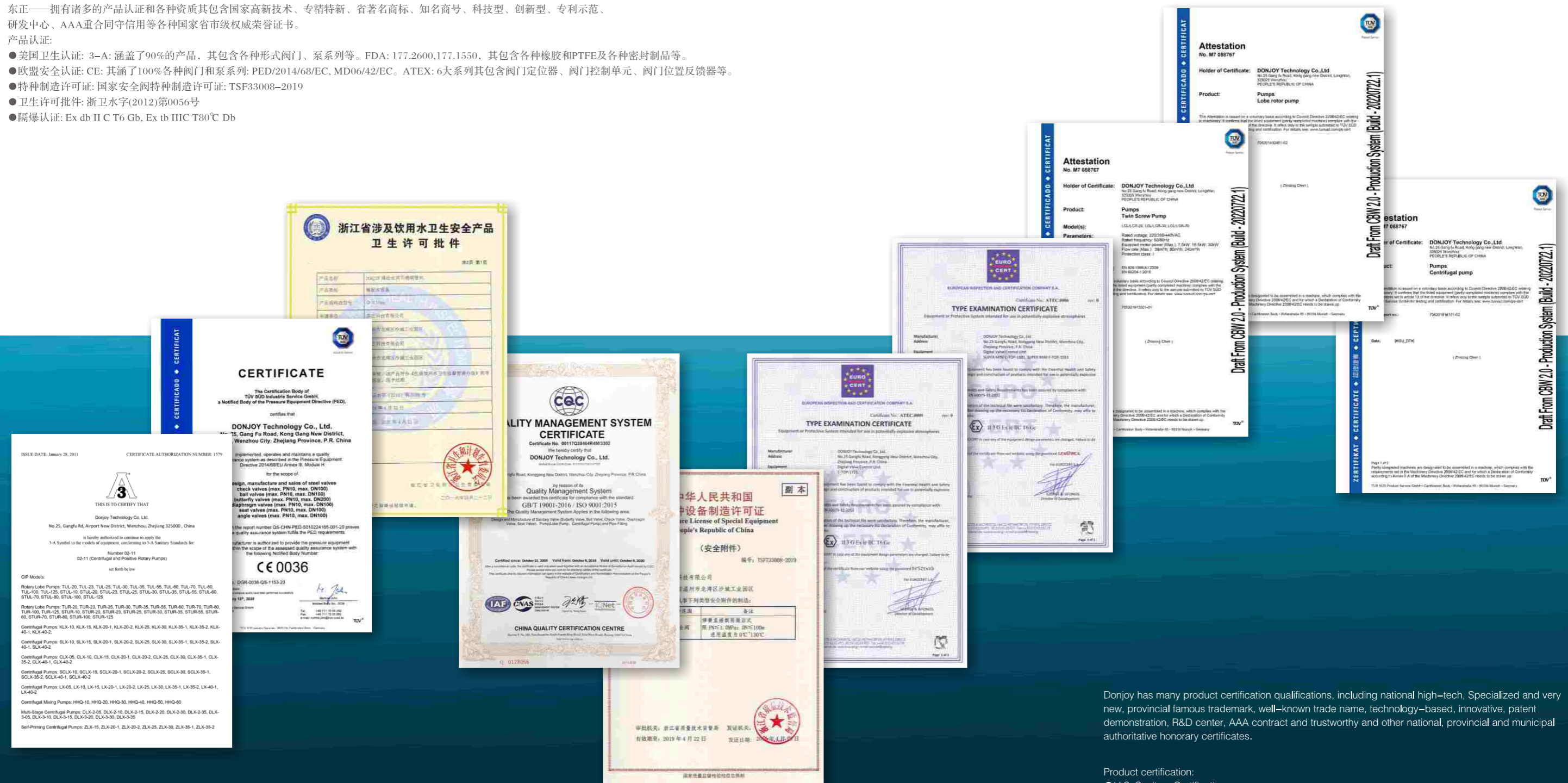


Certification

东正——拥有诸多的产品认证和各种资质其包含国家高新技术、专精特新、省著名商标、知名商号、科技型、创新型、专利示范、研发中心、AAA重合同守信用等各种国家省市级权威荣誉证书。

产品认证:

- 美国卫生认证: 3-A: 涵盖了90%的产品, 其包含各种形式阀门、泵系列等。FDA: 177.2600, 177.1550, 其包含各种橡胶和PTFE及各种密封制品等。
- 欧盟安全认证: CE: 其涵盖了100%各种阀门和泵系列: PED/2014/68/EC, MD06/42/EC。ATEX: 6大系列其包含阀门定位器、阀门控制单元、阀门位置反馈器等。
- 特种制造许可证: 国家安全阀特种制造许可证: TSF33008-2019
- 卫生许可批件: 浙卫水字(2012)第0056号
- 防爆认证: Ex db IIC T6 Gb, Ex tb IIIC T80°C Db



Donjoy has many product certification qualifications, including national high-tech, Specialized and very new, provincial famous trademark, well-known trade name, technology-based, innovative, patent demonstration, R&D center, AAA contract and trustworthy and other national, provincial and municipal authoritative honorary certificates.

- Product certification:
- U.S. Sanitary Certification
 - 3-A: Covers 90% of products, including all kinds of valves, pump, etc.
 - FDA: 177.2600, 177.1550, containing various rubber, PTFE and other sealing products.
 - EU safety certification
 - CE: covers all kinds of valves and pumps: PED/2014/68/EC, MD06/42/EC.
 - ATEX: 6 major series, including valve positioner, valve control unit, valve position feedback device, etc.
 - Special manufacturing license: National safety valve special manufacturing license: TSF33008-2019
 - Sanitation license approval document: Zhewei Shuizi (2012) No. 0056
 - Flameproof certification: Ex db IIC T6 Gb, Ex tb IIIC T80°C Db

清洗技术 Cleaning technology

DJ-QX-type

清洗技术系列产品其包含，360°清洗器、旋转清洗球阀、固定清洗球、罐底管道清洗阀。

The cleaning technology series products include 360° cleaning device, rotating cleaning ball valve, fixed cleaning ball, tank bottom pipeline cleaning valve.



360°清洗器 360° Cleaning device

DJ-QX-PS type



360° 无死角清洗、低液损耗、自润滑、自清洗、清洗距离可达22M。

360° no dead angle cleaning, low fluid loss, self-lubricating, self-cleaning, cleaning distance up to 22M.

该清洗器主要用来清洗较为顽固污渍和≤22米直径容器罐体设备，和其他清洗设备相比较有着非常大的技术优势，如更少的流量、更短的时间、360°全覆盖清洗、无死角、自润滑、清洗更加洁净等技术特点。

This cleaning device is mainly used to clean more stubborn stains and ≤22m diameter container and tank equipment. Compared with other cleaning equipment, it has very large technical advantages, such as less flow, shorter time, 360° full coverage cleaning, No dead angles, self-lubricating, cleaner cleaning and other technical characteristics.

- 流量：≤16m³/h (取决于压力和喷嘴尺寸)
- 压力：4-10bar
- 建议工作压力：6bar
- 工作温度：95°C
- 材质：316L/1.4404
- 清洗有效距离：22M(取决于压力和喷嘴尺寸)

- Flow rate: ≤16m³/h (depending on pressure and spray size)
- Pressure: 4-10bar
- Recommended working pressure: 6bar
- Working temperature: 95°C
- Material: 316L/1.4404
- Cleaning effective distance: 22M (depending on pressure and nozzle size)

安装尺寸图 Installation Dimension Drawing

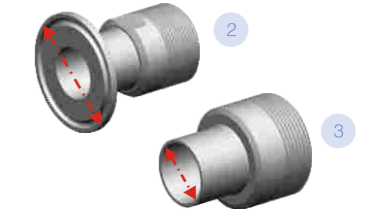


不同的连接方式:

- 1、内螺纹BSP NPT : 1" 1.5"
- 2、卡箍接口: 1" 1.5"
- 3、焊接接口: 1" 1.5"

Different connection methods:

1. Female thread BSP NPT: 1" 1.5"
2. Clamp interface: 1" 1.5"
3. Welding interface: 1" 1.5"



工作原理

- 喷射器是卫生的水箱清洗机，提供360°覆盖范围在一个给定的罐或过程容器。喷射器是由流动的液体通过叶轮产生的动能。在压力和流量的增加会相应增加射流的长度和冲击力到罐或容器表面。
- 喷射器独特的自我清洗功能，内部被完全充分清洗。

Operating principles

- The safety valve is used to protecting pipe, pump from over pressure
- Sanitary and safe design is to prevent operation danger and equipment breakdown due to pressure.
- With sanitary design stainless steel, the valve is the best choice for protection equipments in dairy, food, beverage, pharmacy and fine chemical industries.



清洗技术 Cleaning technology

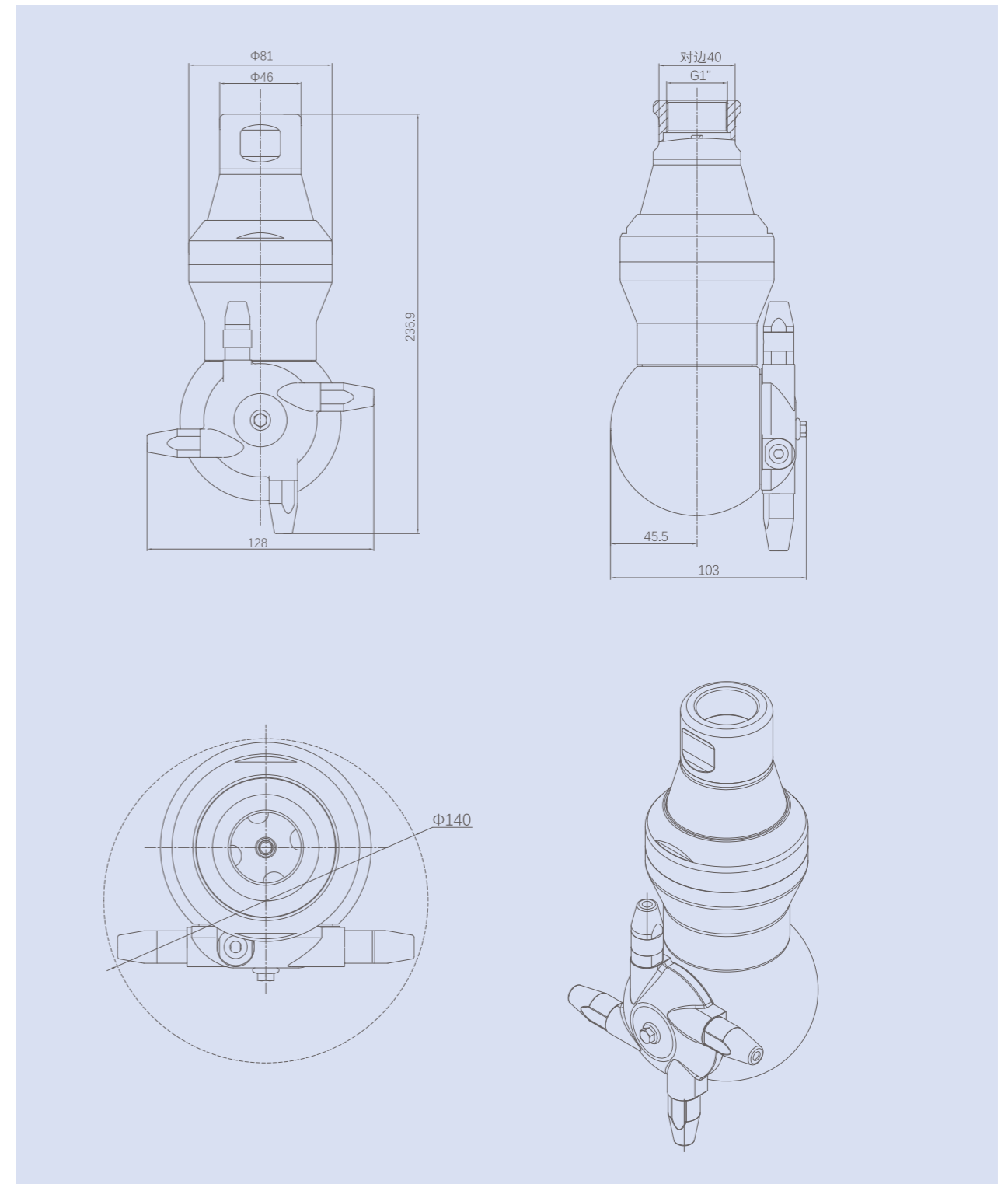
喷射器清洗周期和流量消耗表 Ejector cleaning cycle and flow consumption table

单个清洗周期时间和流量消耗 Single cleaning cycle time and flow consumption				建议清洗时间和流量消耗和清洗周期 Recommended cleaning time and flow consumption and cleaning cycle					
喷嘴直径 Nozzle diameter (mm)	压力 Pressure (bar)	时间/周期 Time period (minute)	流量消耗 Flow consume L/升	易清洗污渍 Easy to clean stains		一般污渍 General stains		顽固污渍 Stubborn stains	
				消耗流量*1周期(L/升) Consumption flow *1 cycle		消耗流量*2周期(L/升) Consumption flow *2 cycle		消耗流量*3周期(L/升) Consumption flow *3 cycle	
				流量 Flow/L	时间 Time (min)	流量 Flow/L	时间 Time (min)	流量 Flow/L	时间 Time (min)
5	4	6min 45s	710	710	7	1420	14	2130	21
	5	5min 30s	645	645	6	1290	12	1935	18
	6	5 min	635	635	5	1270	10	1905	15
	7	4min 30s	610	610	5	1220	10	1830	15
	8	4 min	580	580	4	1160	8	1740	12
	10	3min 30s	565	565	4	1130	8	1695	12
6	4	5 min	650	650	5	1300	10	1950	15
	5	4min 30s	650	650	5	1300	10	1950	15
	6	4min	620	620	4	1240	8	1860	12
	7	3min 45s	610	610	4	1220	8	1830	12
	8	3min 30s	610	610	4	1220	8	1830	12
	10	3min	580	580	3	1160	6	1740	9
7	4	4min	615	615	4	1230	8	1845	12
	5	3min 30s	600	600	4	1200	8	1800	12
	6	3min	555	555	3	1110	6	1665	9
	7	2min 45s	545	545	3	1090	6	1635	9
	8	2min 30s	530	530	3	1060	6	1590	9
	10	2min	475	475	3	950	6	1425	9
8	4	3min 30s	595	595	3	1190	6	1785	9
	5	3min	570	570	3	1140	6	1710	9
	6	2min 45s	570	570	3	1140	6	1710	9
	7	2min 30s	555	555	3	1110	6	1665	9
	8	2min 15s	535	535	3	1070	6	1605	9

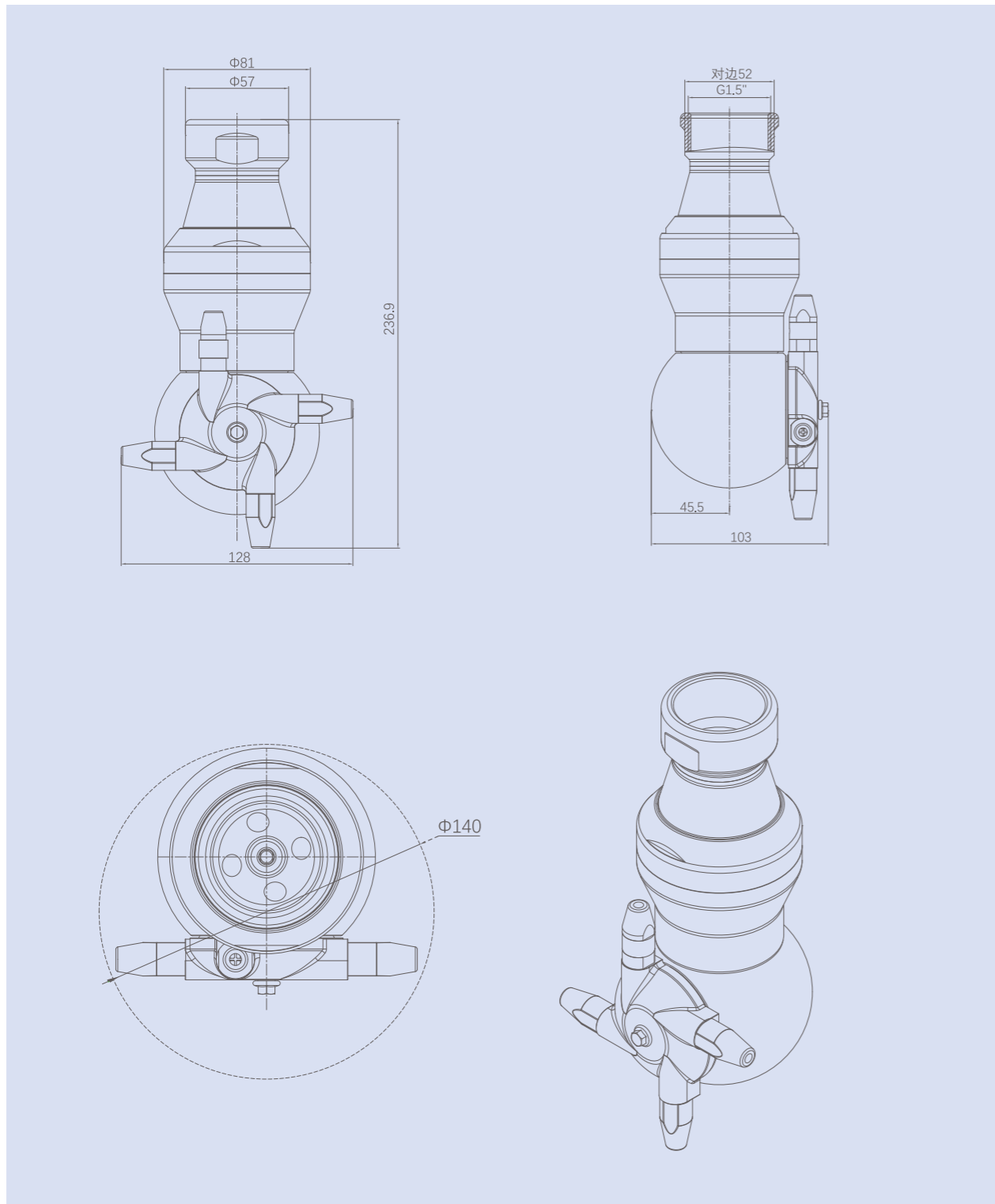


- 1、周期：是指喷射360°全覆盖的清洗所需的时间。
 - 2、消耗：是指每个周期清洗所需要流体消耗(单位：升(L))。
 - 3、建议清洗时间：是指为确保不同的污渍采用不同的清洗时间。
 - 4、建议清洗时间不一定精确，具体要根据实际清洗效果为准，但必须注意每个清洗周期所需的时间和流量消耗，否则可能存在缺液或存在局部未洗净。
 - 5、因介质、温度、压力等可能存在的误差，液体消耗可能存在误差。
1. Cycle: refers to the time required for spraying 360° full coverage cleaning.
 2. Consumption: refers to the fluid consumption (unit: liter (L)) required for each cycle of cleaning.
 3. Suggested cleaning time: It means that different cleaning time is not guaranteed for different stains.
 4. It is suggested that the cleaning time may not be accurate. The specific cleaning effect shall be based on the actual cleaning effect. However, attention must be paid to the time and flow consumption required for each cleaning cycle, otherwise there may be lack of liquid or partial uncleanness.
 5. Due to possible errors in medium, temperature, pressure, etc., there may be errors in liquid consumption.

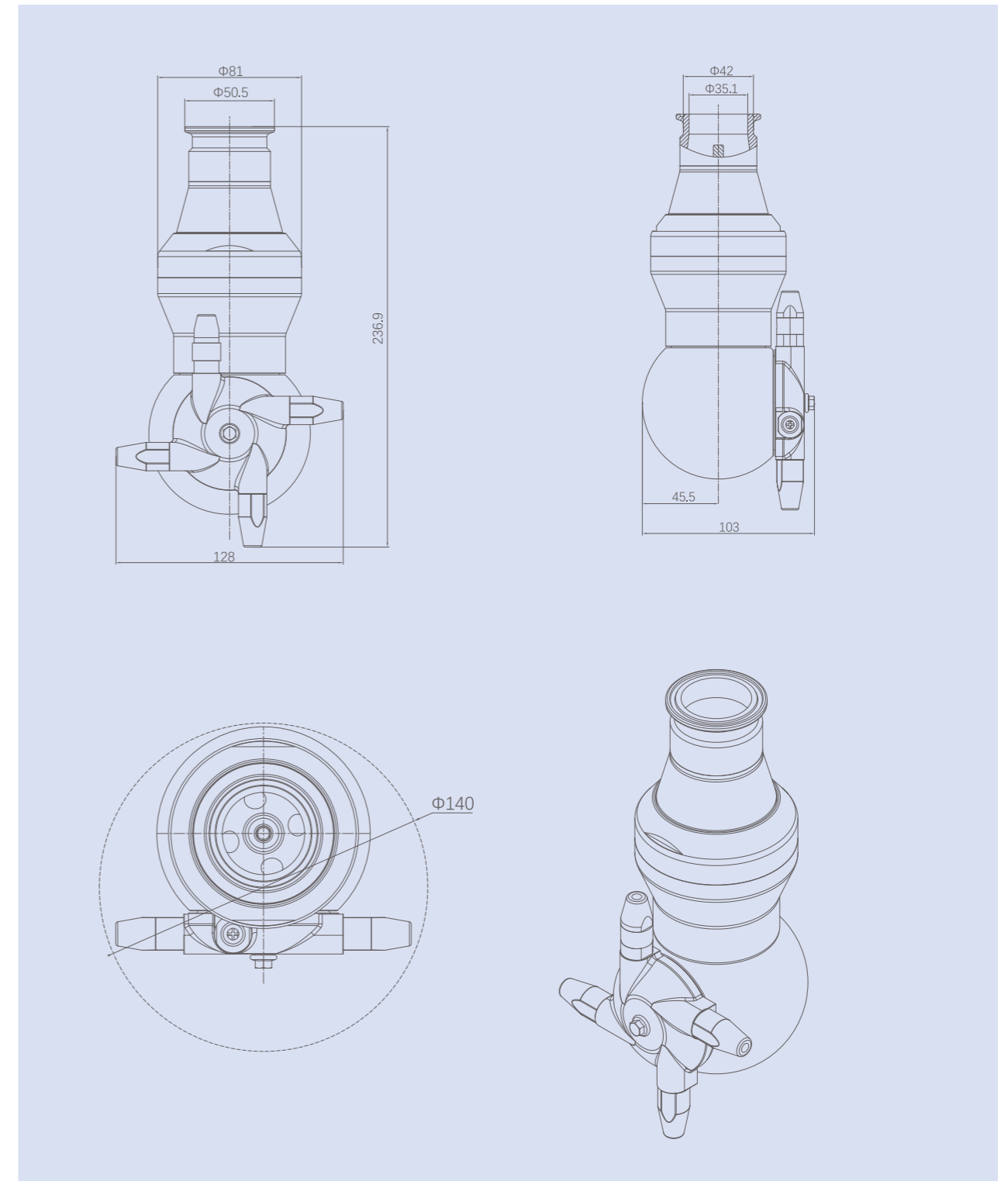
螺纹式喷射器外形尺寸图



螺纹式喷射器外形尺寸图

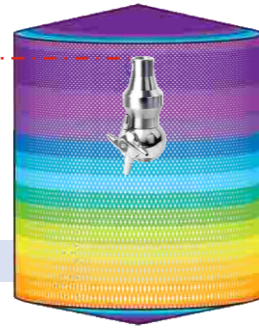


卡箍式喷射器外形尺寸图



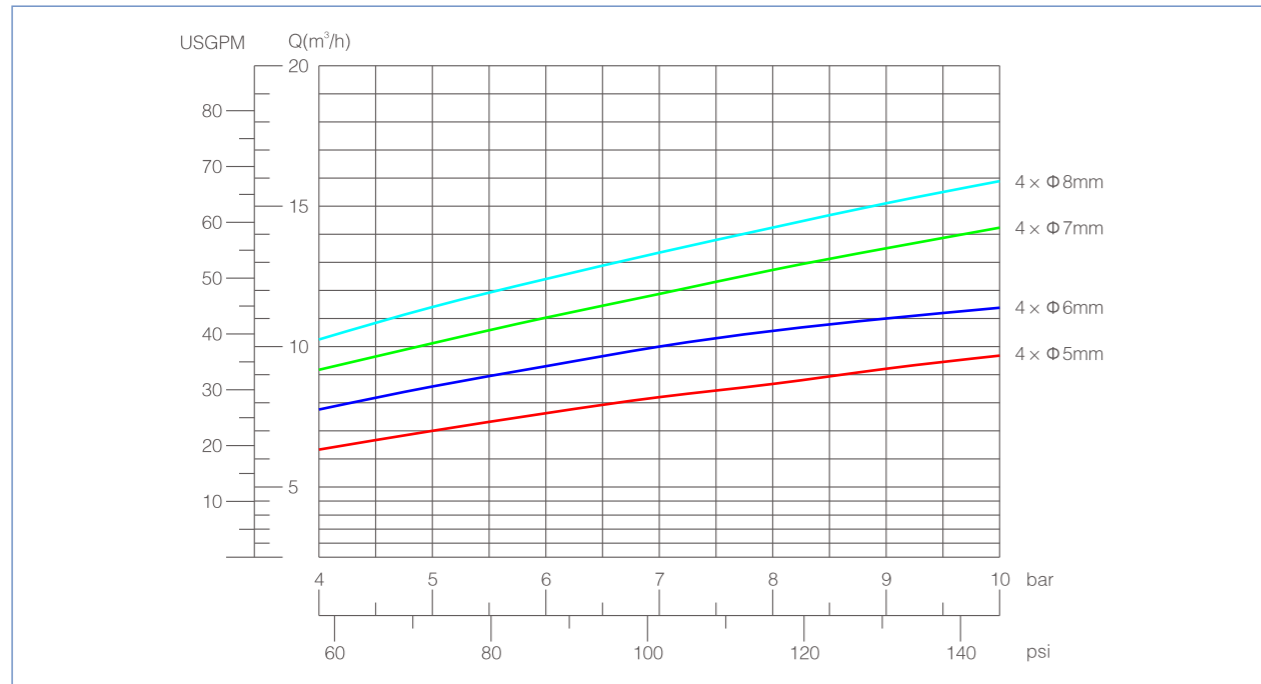
清洗技术 Cleaning technology

360° 全覆盖清洗
360° full coverage cleaning



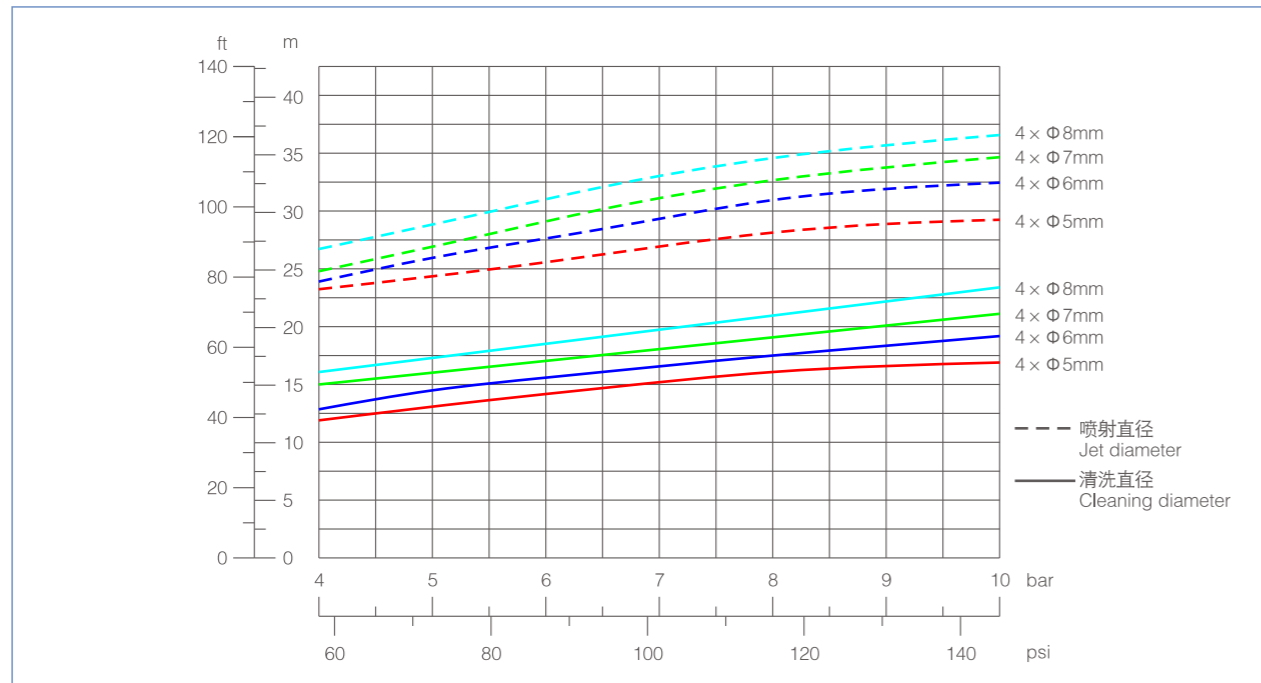
喷射器性能曲线图 Injector performance graph

压力/流量曲线图 Pressure/flow graph



注意：上面图表适用于， 介质：水(20°C)。 Note: The above chart applies to, medium: water (20°C).

清洗/喷射直径 Cleaning / Jet diameter



注意：上面图表适用于， 介质：水(20°C)。 Note: The above chart applies to, medium: water (20°C).

清洗技术 Cleaning technology



新一代清洗技术：
-液体损耗下降30%
-噪音下降50%
-寿命提升2倍
-更加洁净

New generation cleaning technology:
-30% reduction in fluid loss
-Noise reduction by 50%
-Life span is increased by 2 times
-Cleaner

旋转式清洗球 Rotary cleaning ball

DJ-QX-XZ type

- 球体尺寸：35mm、50mm、65mm、75mm
- 接口尺寸：1/2"-2.5"，DN10-DN65
- 连接方式：焊接、卡箍、螺纹、螺母、插销等
- 工作压力：≤ 4bar
- 工作温度：-10°C至130°C
- 材质：316L/1.4404 PEEK
- Sphere size: 35mm, 50mm, 65mm, 75mm
- Interface size: 1/2"-2.5", DN10-DN65
- Connection method: weld, clamp, thread, nut, bolt, etc.
- Working pressure: ≤ 4bar
- Working temperature: -10°C to 130°C
- Material: 316L/1.4404 PEEK



东正制造清洗球至今已有20多年经验，我们深知市场有非常多的清洗球产品，但普遍存在噪音大、清洗效果差、液体消耗大、清洗直径小、使用寿命短、清洗旋转不稳定等缺点。东正结合自身的经验和技術团队的努力对旋转式清洗球进行了系统性技术升级，升级后的产品具有更低噪音、更小流量消耗、更长使用寿命、更短清洗时间、清洗效果更加洁净等技术优势。

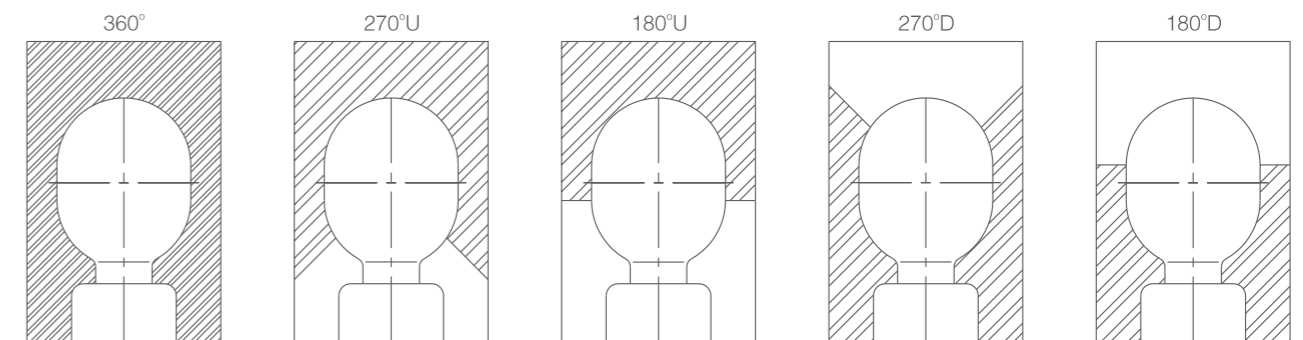
DONJOY has more than 20 years of experience in manufacturing cleaning balls. We know that there are many cleaning ball products in the market, but they are generally noisy, poor cleaning effect, large liquid consumption, small cleaning diameter, short service life, and unstable cleaning rotation and other shortcomings. Dongzheng combined its own experience and the efforts of the technical team to systematically upgrade the rotary cleaning ball. The upgraded product with lower noise, smaller flow consumption, longer service life, shorter cleaning time, and better cleaning effect.

清洗角度可选 Optional cleaning angle

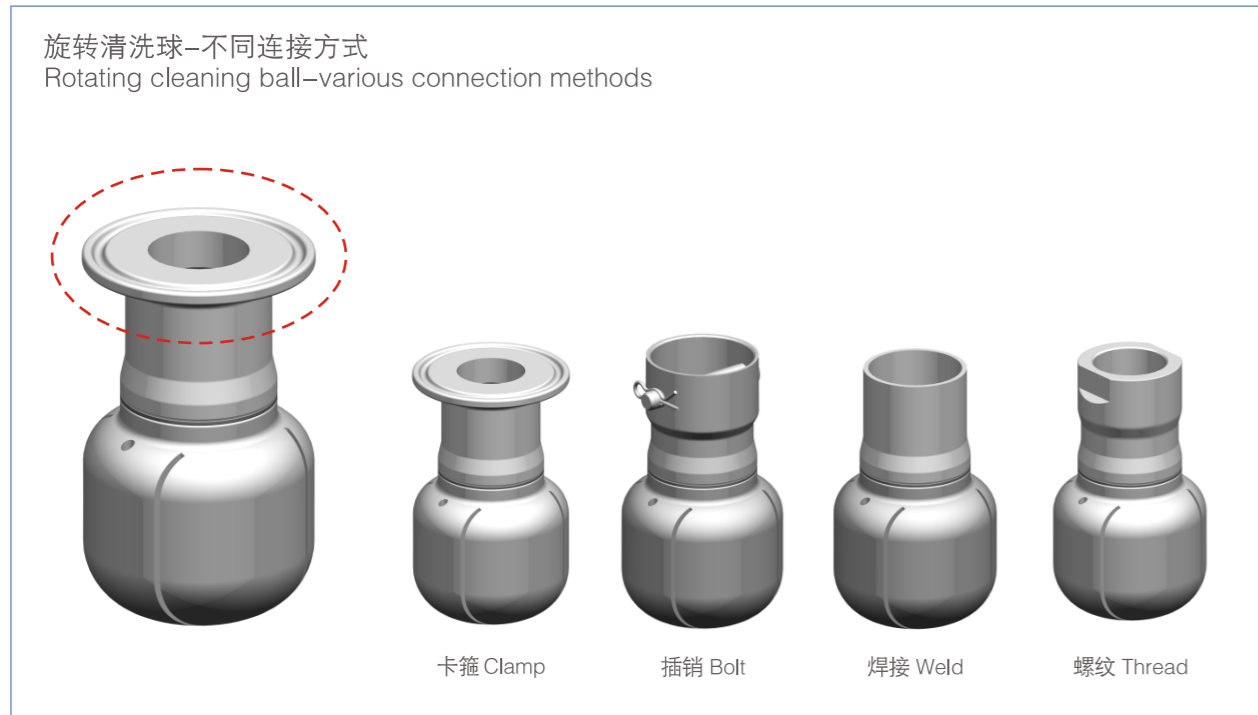
清洗角度可为各种工艺需求或降低清洗液体消耗量而设计。也可为满足某种工艺喷洒液体需求。

- 360° 完全覆盖清洗
- 180° 部分覆盖清洗
- 270° 大部分覆盖清洗
- 360° Full coverage cleaning
- 180° Partial coverage cleaning
- 270° Mostly covered cleaning

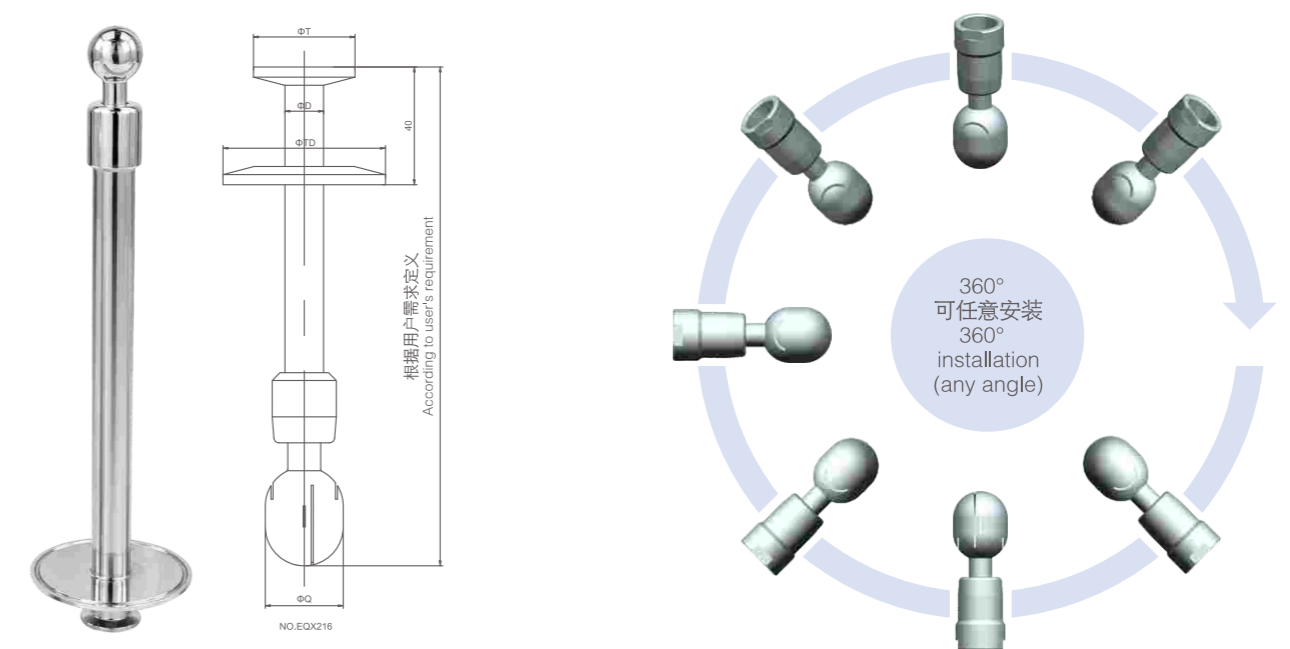
The cleaning angle can be designed for various process requirements or to reduce the consumption of cleaning liquid. It can also meet the needs of spraying liquid for certain processes.



不锈钢材质-旋转清洗球-系列
Stainless steel material-rotary cleaning ball-series



旋转清洗球(双卡箍式)-加长型
Rotary cleaning ball (double clamp type)- Extended type



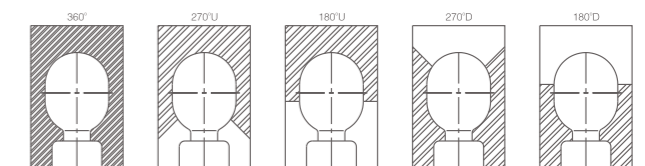
PEEK材质-旋转清洗球-系列
PEEK material-rotary cleaning ball-series



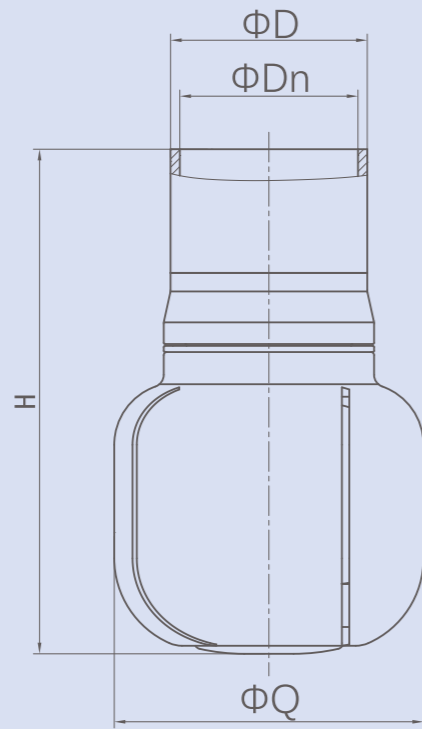
固定式清洗球
Fixed cleaning ball



- 球体尺寸: 22mm、28mm、45mm、65mm
- 接口尺寸: 1/2"-2", DN10-DN50
- 连接方式: 焊接、卡箍、螺纹、螺母、插销等
- 材质: 316L/1.4404 PEEK
- Sphere size: 22mm, 28mm, 45mm, 65mm
- Interface size: 1/2"-2", DN10-DN50
- Connection method: welding, clamp, thread, nut, bolt, etc.
- Material: 316L/1.4404 PEEK



旋转清洗球-2023款尺寸图

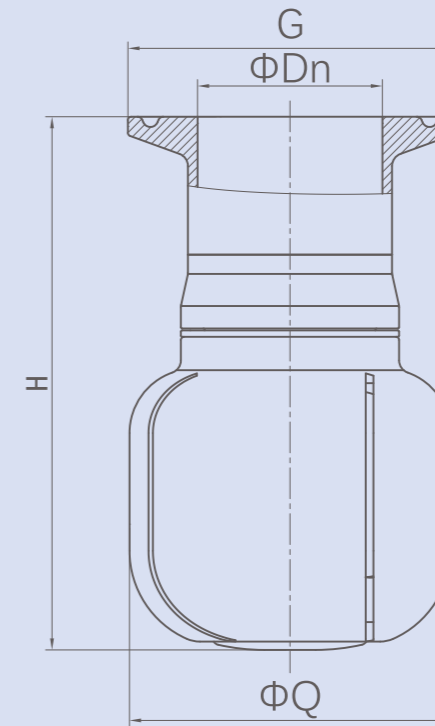


焊接式 (旋转清洗球-2023款)

Q	INCH		DIN			H	2Bar压力		
	SIZE	ΦD	SIZE	ΦD	ΦDn		喷射半径 (N)	清洗半径 (M)	流量 (M ³ /H)
35	0.75"	19	DN15	18	15	63.7	2.8	1.2	2.8
	1"	25.4	DN25	28	25	63.7	2.8	1.3	3.0
50	0.75"	19	DN15	18	15	86.6	3.0	2.2	6
	1"	25.4	DN25	28	25	81.6	3.4	2.5	6.5
	1.25"	31.8	DN32	34	31	81.6	3.5	2.6	7
65	1.25"	31.8	DN32	34	31	98.6	4.0	3.0	12
	1.5"	38.1	DN40	40	37	98.6	4.2	3.1	15
	2"	50.8	DN50	52	49	98.6	4.5	3.2	16
75	1.5"	38.1	DN40	40	37	112.3	6.0	4.1	18
	2"	50.8	DN50	52	49	110.3	6.5	4.2	22
	2.5"	63.5				110.3	7.0	4.4	25

注意：以上数据图相关尺寸不作为实物最终依据，东正保留对于数据更新权限不再另行通知。
Note: The relevant dimensions of the above data diagrams are not regarded as the final basis of the actual object. Dongzheng reserves the right to update the data without further notice.

旋转清洗球-2023款尺寸图

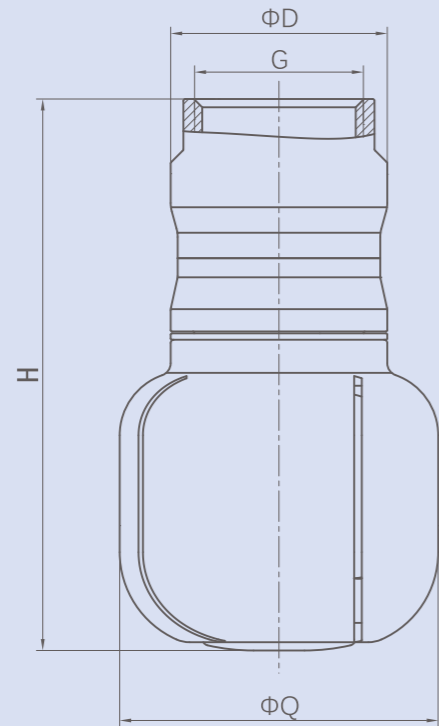


卡箍式 (旋转清洗球-2023款)

Q	INCH		DIN			H	2Bar压力		
	SIZE	ΦD	SIZE	ΦD	ΦG		喷射半径 (N)	清洗半径 (M)	流量 (M ³ /H)
35	0.75"	15.8	DN15	15	34	63.7	2.8	1.2	2.8
	1"	22.1	DN25	25	50.5	56.4	2.8	1.3	3.0
50	0.75"	15.7	DN15	15	34	83.1	3.0	2.2	6
	1"	22.1	DN25	25	50.5	83.1	3.4	2.5	6.5
	1.25"	28.8	DN32	31	50.5	83.1	3.5	2.6	7
65	1.25"	28.8	DN32	31	50.5	92.1	4.0	3.0	12
	1.5"	34.8	DN40	37	50.5	92.1	4.2	3.1	15
	2"	47.5	DN50	49	64	92.1	4.5	3.2	16
75	1.5"	34.8	DN40	37	50.5	101.8	6.0	4.1	18
	2"	47.5	DN50	49	64	101.8	6.5	4.2	22
	2.5"	59.5				101.8	7.0	4.4	25

注意：以上数据图相关尺寸不作为实物最终依据，东正保留对于数据更新权限不再另行通知。
Note: The relevant dimensions of the above data diagrams are not regarded as the final basis of the actual object. Dongzheng reserves the right to update the data without further notice.

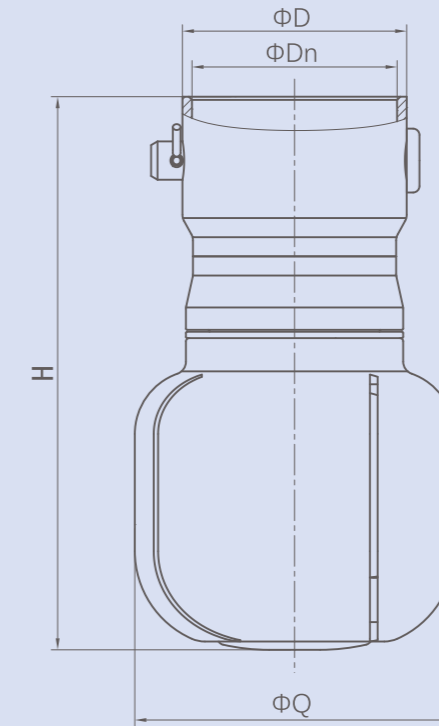
旋转清洗球-2023款尺寸图



螺纹式 (旋转清洗球-2023款)

Q	G	ΦD	H	2Bar压力		
				喷射半径 (N)	清洗半径 (M)	流量 (M ³ /H)
35	BSP 3/8"	23	63.7	2.5	1.1	2.5
	BSP 1/2"	27	63.7	2.8	1.2	2.8
	BSP 3/4"	34	68.7	2.8	1.3	3.0
50	BSP 1/2"	27	86.6	3.0	2.2	6
	BSP 3/4"	34	86.6	3.4	2.5	6.5
	BSP 1"	41	89.6	3.5	2.6	7
65	BSP 1"	41	98.6	4.0	3.0	12
	BSP 1.25"	50	100.6	4.2	3.1	15
	BSP 1.5"	57	104.6	4.5	3.2	16
75	BSP 1.25"	50	112.3	6.0	4.1	18
	BSP 1.5"	57	112.3	6.5	4.2	22
	BSP 2"	69	118.3	7.0	4.4	25
	BSP 2.5"	83.5	128.3	7.5	4.5	27

旋转清洗球-2023款尺寸图

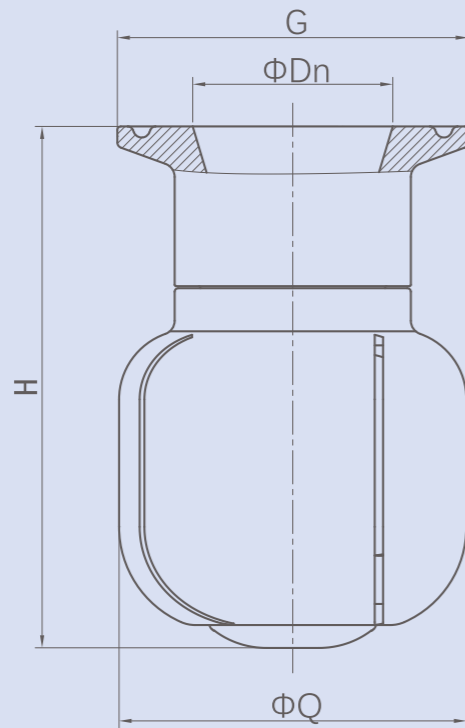


插销式 (旋转清洗球-2023款)

Q	INCH		DIN			H	2Bar压力			
	SIZE	ΦD	ΦDn	SIZE	ΦD		ΦDn	喷射半径 (N)	清洗半径 (M)	流量 (M ³ /H)
35	0.75"	23	19.3	DN15	23	18.3	68.7	2.8	1.2	2.8
	1"	30	25.7	DN25	33	28.3	68.7	2.8	1.3	3.0
50	0.75"	23	19.3	DN15	23	18.3	86.6	3.0	2.2	6
	1"	30	25.7	DN25	31.8	28.3	86.6	3.4	2.5	6.5
	1.25"	35.1	32.1	DN32	39	34.3	86.6	3.5	2.6	7
65	1.25"	35.1	32.1	DN32	38.1	34.3	100.6	4.0	3.0	12
	1.5"	43	38.4	DN40	45	40.3	105.6	4.2	3.1	15
	2"	55	51.1	DN50	57	52.3	108.6	4.5	3.2	16
75	1.5"	45	38.4	DN40	45	40.3	115.3	6.0	4.1	18
	2"	55	51.1	DN50	57	52.3	115.3	6.5	4.2	22
	2.5"	68	63.8				118.3	7.0	4.4	25

注意：以上数据图相关尺寸不作为实物最终依据，东正保留对于数据更新权限不再另行通知。
Note: The relevant dimensions of the above data diagrams are not regarded as the final basis of the actual object. Dongzheng reserves the right to update the data without further notice.

2023款全PEEK旋转清洗球-外形尺寸图



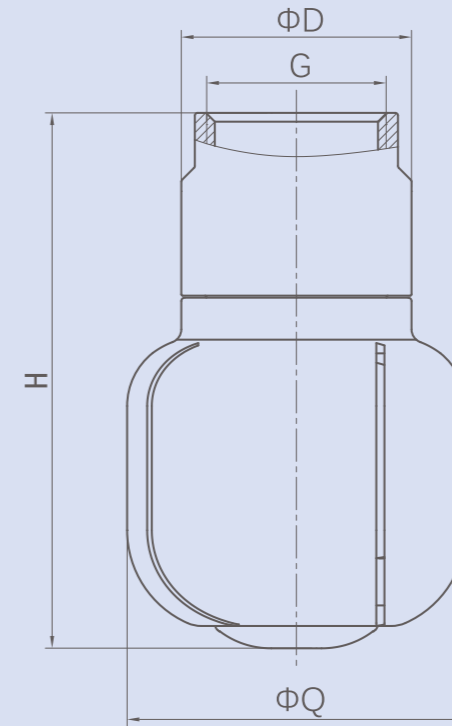
卡箍式 (全PEEK旋转清洗球-2023款)

卡箍式 (全PEEK旋转清洗球-2023款)

Q	INCH		DIN			H	2Bar压力			
	SIZE	ΦDn	SIZE	ΦDn	G		喷射半径 (N)	清洗半径 (M)	流量 (M ³ /H)	
35	0.75"	15.8	25	DN15	15	34	57	2.8	1.2	2.8
	1"	22.1	50.5	DN25	25	50.5	57	2.8	1.3	3.0
50	0.75"	15.8	25	DN15	15	34	87.1	3.0	2.2	6
	1"	22.1	50.5	DN25	25	50.5	75.1	3.4	2.5	6.5
	1.25"	28.8	50.5	DN32	31	50.5	75.1	3.5	2.6	7
65	1.25"	28.8	50.5	DN32	31	50.5	85.1	4.0	3.0	12
	1.5"	34.8	50.5	DN40	37	50.5	85.1	4.2	3.1	15
	2"	47.5	64	DN50	49	64	85.1	4.5	3.2	16
75	1.5"	34.8	50.5	DN40	37	50.5	99.6	6.0	4.1	18
	2"	47.5	64	DN50	49	64	99.6	6.5	4.2	22
	2.5"	59.5	77.5				99.6	7.0	4.4	25

注意：以上数据图相关尺寸不作为实物最终依据，东正保留对于数据更新权限不再另行通知。
Note: The relevant dimensions of the above data diagrams are not regarded as the final basis of the actual object. Dongzheng reserves the right to update the data without further notice.

2023款全PEEK旋转清洗球-外形尺寸图

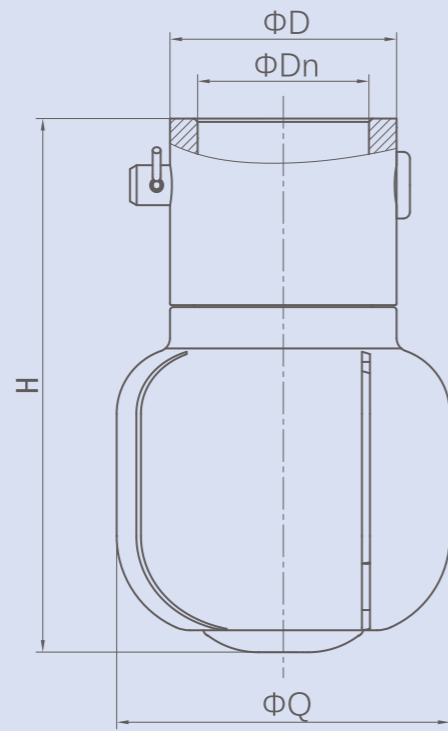


螺纹式 (全PEEK旋转清洗球-2023款)

螺纹式 (全PEEK旋转清洗球-2023款)

Q	G	ΦD	H	2Bar压力		
				喷射半径 (N)	清洗半径 (M)	流量 (M ³ /H)
35	BSP 3/8"	24	64.5	2.5	1.1	2.5
	BSP 1/2"	27	64.5	2.8	1.2	2.8
	BSP 3/4"	34	67.5	2.8	1.3	3.0
50	BSP 1/2"	27	85.1	3.0	2.2	6
	BSP 3/4"	34	79.1	3.4	2.5	6.5
	BSP 1"	41	83.1	3.5	2.6	7
65	BSP 1"	41	90.1	4.0	3.0	12
	BSP 1.25"	50	90.1	4.2	3.1	15
	BSP 1.5"	57	93.1	4.5	3.2	16
75	BSP 1.25"	50	102.6	6.0	4.1	18
	BSP 1.5"	57	102.6	6.5	4.2	22
	BSP 2"	69	107.6	7.0	4.4	25
	BSP 2.5"	83.5	119.6	7.5	4.5	27

2023款全PEEK旋转清洗球-外形尺寸图



插销式 (全PEEK旋转清洗球-2023款)

插销式 (全PEEK旋转清洗球-2023款)

Q	INCH		DIN			H	2Bar压力			
	SIZE	ΦD	ΦDn	SIZE	ΦD		ΦDn	喷射半径 (N)	清洗半径 (M)	流量 (M³/H)
35	0.75"	25	19.3	DN15	24	18.3	66.5	2.8	1.2	2.8
	1"	30	25.7	DN25	33	28.3	66.5	2.8	1.3	3.0
50	0.75"	30	19.3	DN15	30	18.3	90.1	3.0	2.2	6
	1"	34	25.7	DN25	34	28.3	80.1	3.4	2.5	6.5
	1.25"	40	32.1	DN32	40	34.3	80.1	3.5	2.6	7
65	1.25"	40	32.1	DN32	44	34.3	92.1	4.0	3.0	12
	1.5"	44	38.4	DN40	49	40.3	98.1	4.2	3.1	15
	2"	60	51.1	DN50	60	52.3	96.1	4.5	3.2	16
75	1.5"	45	38.4	DN40	49	40.3	106.6	6.0	4.1	18
	2"	60	51.1	DN50	60	52.3	106.6	6.5	4.2	22
	2.5"	70	63.8				106.6	7.0	4.4	25

注意：以上数据图相关尺寸不作为实物最终依据，东正保留对于数据更新权限不再另行通知。
Note: The relevant dimensions of the above data diagrams are not regarded as the final basis of the actual object. Dongzheng reserves the right to update the data without further notice.

伸缩式固定清洗器
Retractable fixed cleaner

DJ-QXF type



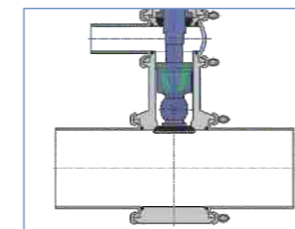
技术特点 Technical Features

伸缩式固定清洗器主要解决因清洗球长期泡在介质中形成的死角而容易细菌繁殖而污染介质。该阀门开启时清洗，关闭时保持清洗球与介质不接触，从而避免了死角。

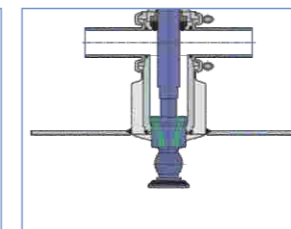
Retractable fixed cleaner mainly solves the dead angle formed by the cleaning ball soaking in the medium for a long time, which is easy to pollute the medium by breeding bacteria. The valve is cleaning when it is opened, and when it is closed, the cleaning ball is not in contact with the medium, thus avoiding the dead angle.

- 规格：DN25-1".....4"-DN100
- 连接方式：焊接、卡箍、罐底法兰
- 材质：316L/1.4404
- 工作温度：-20℃ 到 130℃

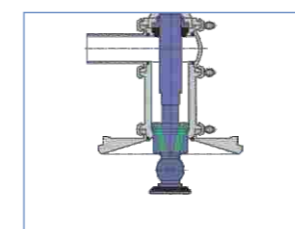
- Specification: DN25-1".....4"-DN100
- Connection method: welding, clamp, tank bottom flange
- Material: 316L/1.4404
- Working temperature: -20℃ to 130℃



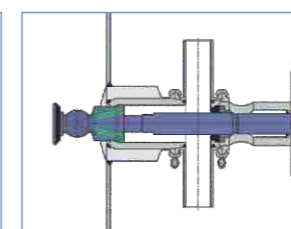
卡箍连接
Clamp connection



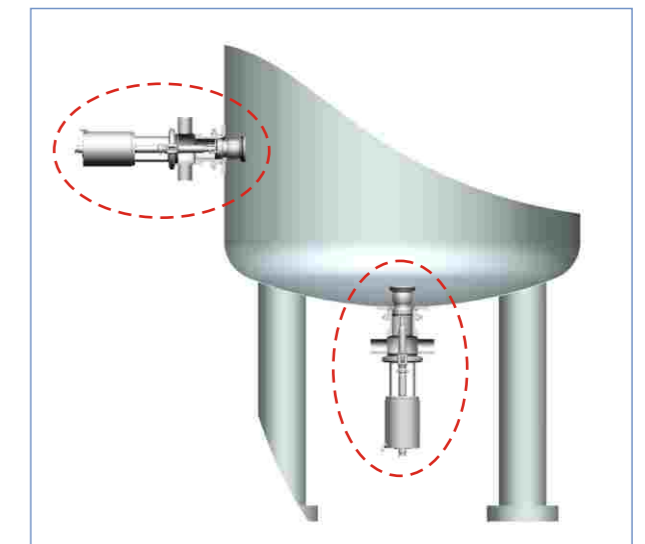
对焊连接
Butt welding connection



法兰连接
Flange connection

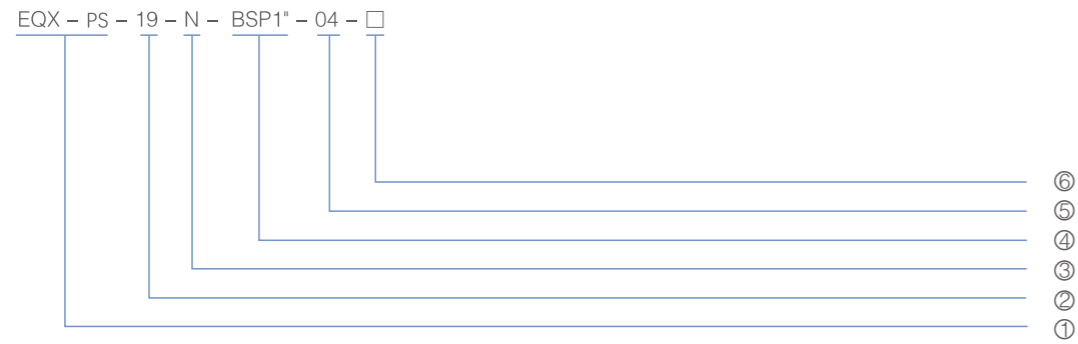


侧面焊接连接
Side welding connection



安全阀 Safety valve

喷射器-货号编制规则



① 人孔类型代码

EQX-PS: 喷射式清洗器
EQX-XZ: 旋转清洗球

② 阀门连接方式

19-2019款()

③ 表示接口连接方式

K-卡箍式; N-内螺纹式

④ 表示进口规格

INCH(卡箍式)-OD 1"; OD 1 1/4"; OD 1 1/2"; OD 2"
BSP(螺纹式)-G 1"; G 1 1/4"; G 1 1/2"; G 2"

⑤ 表示出水口口径

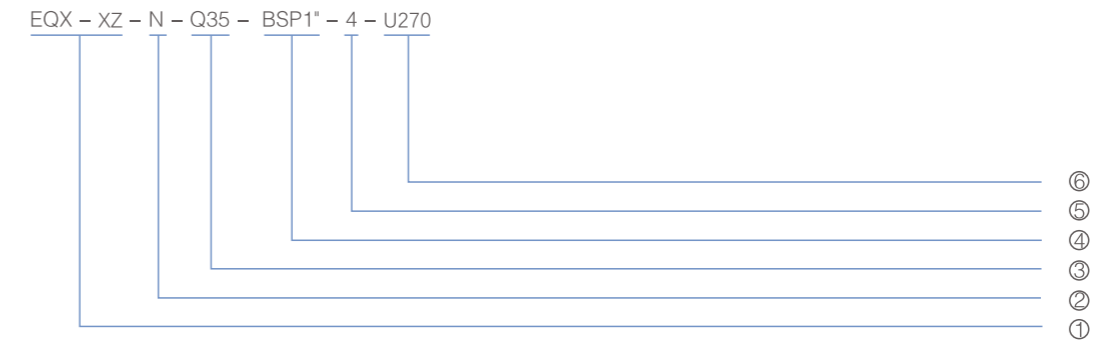
04-4mm; 05-5mm; 06-6mm; 08-8mm; 10-10mm;

⑥ 表示附件信息

此位预留, 可省略

上述代码表示: 2019款喷射器-内螺纹式-进口规格BSP1"-出水口径5mm-无附件

旋转清洗球-货号编制规则



① 人孔类型代码

EQX-XZ: 旋转清洗球; EQX-XZ23: 旋转清洗球-2023款;
EQX-XZP23: 全PEEK旋转清洗球-2023款;
EQX-GD: 固定清洗球; EQX-2K: 旋转清洗球-双卡盘

② 表示接口连接方式

H-焊接式; K-卡箍式; C-插销式;
N-内螺纹式 (仅适用于BSP标准)

③ 表示清洗球直径

Q35-球径35; Q50-球径50; Q65-球径65; Q75-球径75;

④ 表示进口规格

DIN	INCH	BSP
DN 10	OD 1/2"	BSP 3/8"
DN 15	OD 3/4"	BSP 1/2"
DN 20	OD 1"	BSP 3/4"
DN 25	OD 1 1/4"	BSP 1"
DN 32	OD 1 1/2"	BSP 1 1/4"
DN 40	OD 2"	BSP 1 1/2"
DN 50	OD 2 1/2"	BSP 2"

⑤ 表示金属材质(与介质接触部分)

6-AISI 316L; 4-AISI 304

⑥ 表示清洗角度

空-360度清洗 (默认); U270-270° U型;
U180-180° U型; D270-270° D型; D180-180° D型